

CERAMIC SMD ULTRA MINIATURE QUARTZ CRYSTAL



2.5 x 2.0 x 0.55 mm

ABM10



FEATURES:

- IR reflow capable
- Tight stability available
- Ceramic package seam welded sealing assures high precision and reliability

APPLICATIONS:

- Blue-tooth, Wireless applications
- Computers, Modems, Microprocessors
- Communication, Test equipment
- High density applications
- PCMCIA
- Portable radios and MP3 players

STANDARD SPECIFICATIONS:

PARAMETERS

ABRACON P/N	ABM10 Series
Frequency Range	16.000 MHz to 55.000 MHz (Contact ABRACON for >50MHz)
Operation Mode	Fundamental
Operating Temperature	- 10°C to + 60°C (see options)
Storage Temperature	- 40°C to + 85°C
Frequency Tolerance	± 20 ppm max. (see options)
Frequency Stability	± 30 ppm max. (see options)
Equivalent Series Resistance	See Table 1
Shunt Capacitance C ₀	7pF max.
Load Capacitance C _L	10pF (see options)
Drive Level	100µW max., 10µW typical
Aging @ 25° C first year	± 5ppm max.
Insulation Resistance	500MΩ min with 100Vdc ± 15Vdc

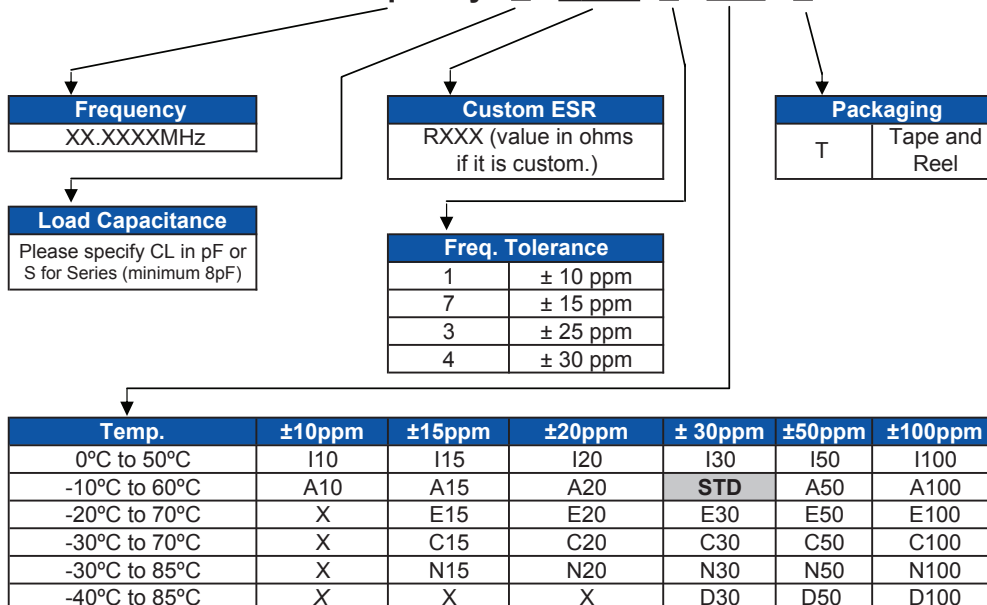
TABLE 1 - Standard ESR

FREQ (MHz)	ESR (Ω)max.
16.0 - 19.99	150
20.0 - 29.99	100
30.0 - 55.0	70

OPTIONS & PART IDENTIFICATION:

(Left blank if standard)

ABM10 - Frequency - □ - R□□□ - □ - □□□ - □



CERAMIC SMD ULTRA MINIATURE QUARTZ CRYSTAL

ABM10

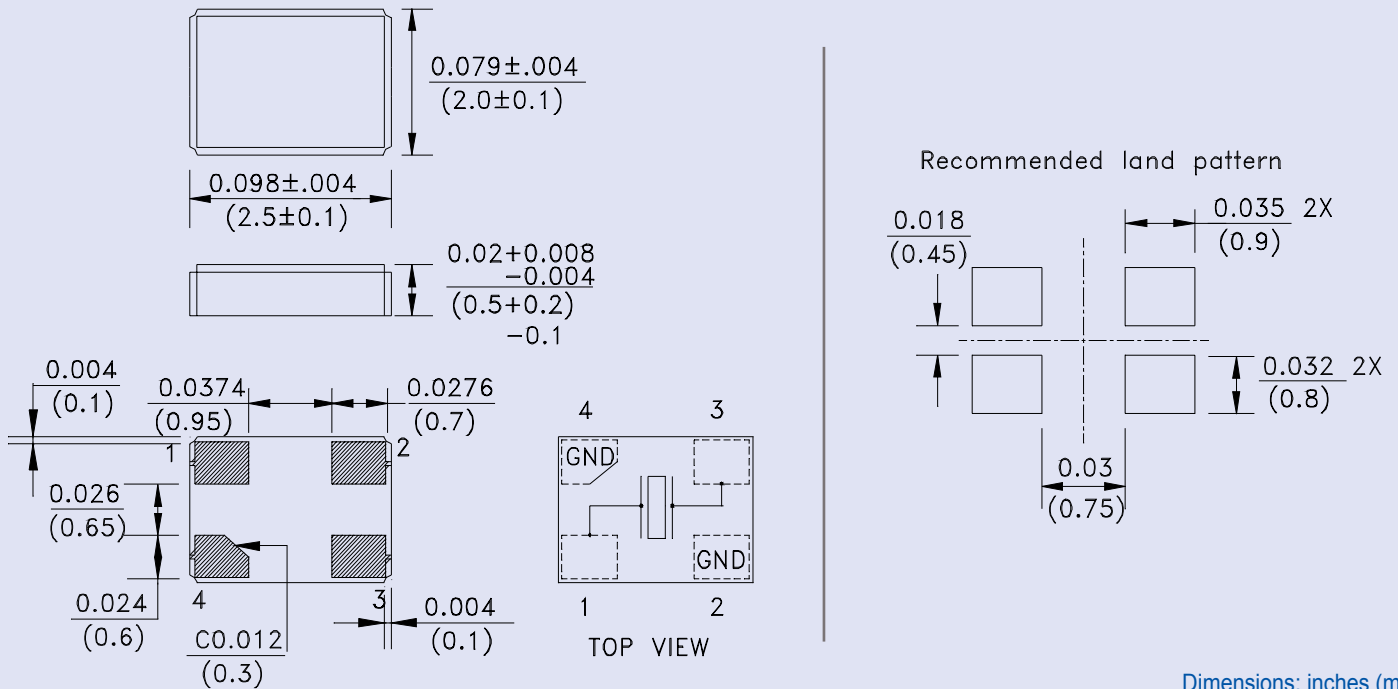


RoHS
Compliant

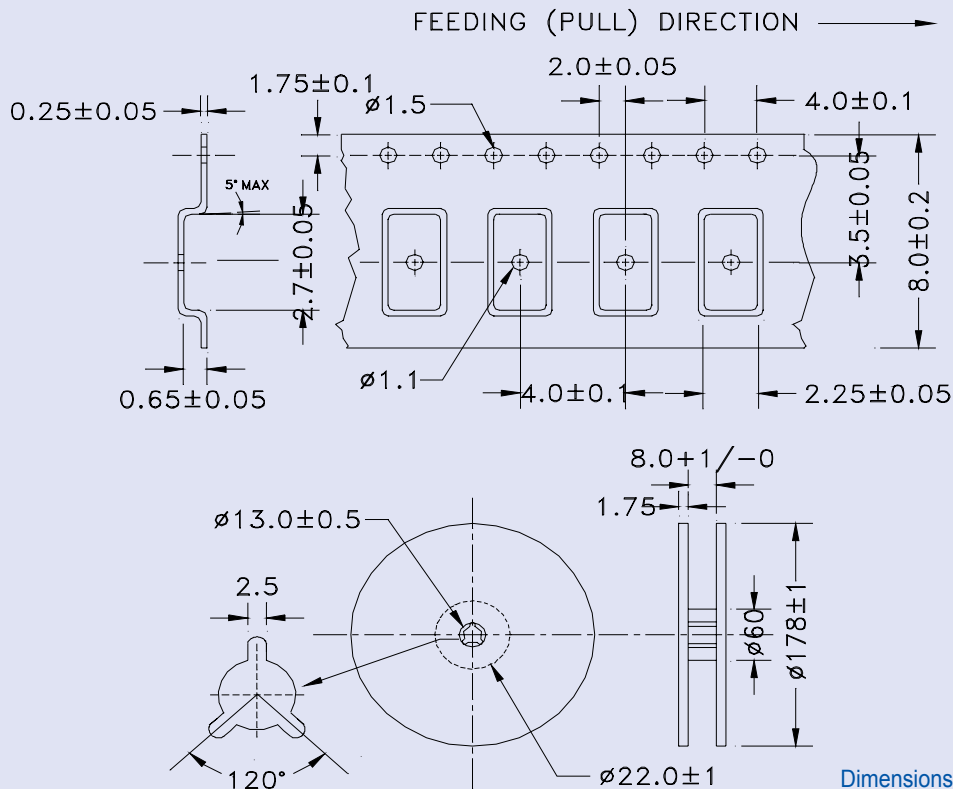


2.5 x 2.0 x 0.55 mm

OUTLINE DRAWING:



TAPE & REEL:



ABRACON IS
ISO 9001 / QS 9000
CERTIFIED



Visit www.abracon.com for Terms & Conditions of Sale **Revised: 11.17.08**
30332 Esperanza, Rancho Santa Margarita, California 92688
tel 949-546-8000 | fax 949-546-8001 | www.abracon.com